



深圳市宇锡科技有限公司

SHENZHEN YOUSEE TECHNOLOG CO., LTD

PRODUCT SPECIFICATION FOR TOUCH DISPLAY MODULE

Product NO: (产品型号) YX07021312416BC

Customer : (客户) _____

APPROVED BY CUSTOMER 客户签署栏	
Approved by 审核	Remark 备注

APPROVED BY GT 宇锡签署栏			
Prepared by 制作	Checked by 检查		Approved by 审核
	电子	结构	

深圳市宇锡科技有限公司
Shenzhen Yousee Technology Co.,Ltd
邹长城 LONG
Tel:15818552076
E-mail: zouchangcheng@youseelcd.com
Adress:深圳市西乡筲竹角鸿竹雍启 C 栋 5 楼, D 栋 2 楼
2F bldg D and 5F, bldg C, Hongzhu Yongqi, Lezhujiao, Xixiang, Shenzhen



1.0 General Description

1.1 Introduction

Yousee Display model **YX07021312416BC** is a color active matrix thin film transistor (TFT) liquid crystal display (LCD) that uses amorphous silicon TFT as a switching device. This model is composed of a TFT LCD panel and a driving circuit. This TFT LCD has a 7.0 (16:9) inch diagonally measured active display area with (1024 horizontal by 600 vertical pixel) resolution.

1.2. Features

7 (16:9 diagonal) inch configuration
Compatible with NTSC & PAL system
Image Reversion: UP/DOWN and LEFT/RIGHT
ROHS design

1.3. General information

Item	Specification	Unit
Outline Dimension	165 (H) x 100 (V) x 2.8(D)	mm
Display area	154.21 (H) x 85.92 (V)	mm
Number of Pixel	1024RGB (H) x 600 (V)	pixels
Pixel pitch	0.1506 (H) x 0.1432 (V)s	mm
Pixel arrangement	RGB Vertical stripe	
Display mode	Normally Black	
Color Filter Array	RGB vertical stripes	
Backlight	White LED	
Weight	TBD	g



2.0 Absolute Maximum Ratings

2.1 Electrical Absolute Rating

2.1.1 TFT LCD Module

Item	Symbol	Min.	Max.	Unit	Note
Power supply voltage	DV _{DD}	-0.3	3.96	V	GND=0
	AV _{DD}	-0.5	13.5	V	AGND=0
	V _{COM}			V	
Logic Signal Input Level	V _I	-0.3	DV _{DD} +0.3	V	

Note (1) Stresses above those listed under "Absolute Maximum Rating" may cause permanent damage to the device. These are stress ratings only. Functional operation of this device at indicated in the operational sections(6.1) of this specification.

2.2 Environment Absolute Rating

Item	Symbol	Min.	Max.	Unit	Note
Operating Temperature	Topa	-10	50	°C	
Storage Temperature	Tstg	-10	60	°C	

2.3 Back-light Unit:

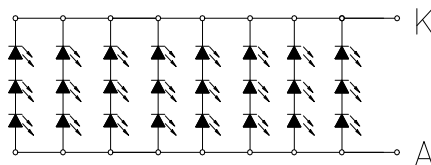
PARAMETER	Sym.	Min.	Typ.	Max.	Unit	Test Condition	Note
LED Current	I _F	–	160	–	mA	–	–
LED Voltage	V _F	9	9.6	10.2	V	–	–
Life Time		–	20000	–	Hr.	I ≤ 160mA	–
Color	White						

Note (1) Permanent damage may occur to the LCD module if beyond this specification. Functional operation should be restricted to the conditions described under normal operating conditions.

(2) Ta=25±2°C

(3) Test condition: LED Current 160mA

LED电路图





3.0 Optical Characteristics

3.1 Optical specification

Item		Symbol	Condition	Min.	Typ.	Max.	Unit	Note	
Threshold voltage		V _{sat}		—	2.48	—	V	(1)	
		V _{th}		—	1.47	—	V	(1)	
Luminous intensity				300	350		cd/m ²		
Transmittance(With PZ)		T		—	8.91	—			
Contrast		CR		400	500	—		(2)(3)	
Response time	Rising	T _R	θ=0 Normal viewing angle	—	5	7	msec	(2)(4)	
	Falling	T _F		—	20	28			
Color gamut		S			—	49	—	%	C light
Color chromaticity (CIE1931)	White	W _x		θ=0 Normal viewing angle	0.26	0.31	0.36	(2)(5) CF Glass C light	
		W _y			0.28	0.33	0.38		
	Red	R _x			0.616	0.631	0.646		
		R _y			0.327	0.342	0.357		
	Green	G _x			0.306	0.321	0.336		
		G _y			0.538	0.553	0.568		
	Blue	B _x			0.133	0.148	0.163		
		B _y	0.173		0.188	0.203			
Viewing angle	Hor.	θ _L	CR>10	70	85	—			
		θ _R		70	85	—			
	Ver.	θ _U		70	85	—			
		θ _D		70	85	—			
Brightness uniformity		B _{UNI}	θ=0	70	—	—	%	(6)	
Optima View Direction		6 O' clock						(7)	

3.2 Measuring Condition

- Measuring surrounding : dark room
- Ambient temperature : 25±2°C
- 30min. warm-up time.

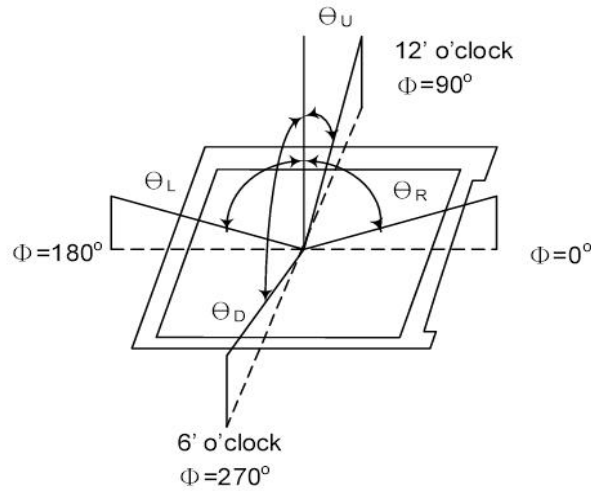
3.3 Measuring Equipment

- TOPCON BM-7
- Measuring spot size : field 2°

Note (1) Definition of Vsat and Vth (at 20°C)



Note (2) Definition of Viewing Angle :

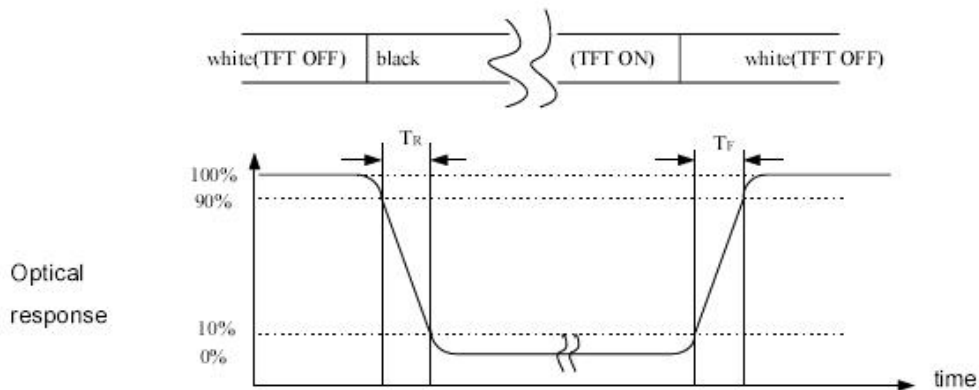


Note (3) Definition of Contrast Ratio(CR) :

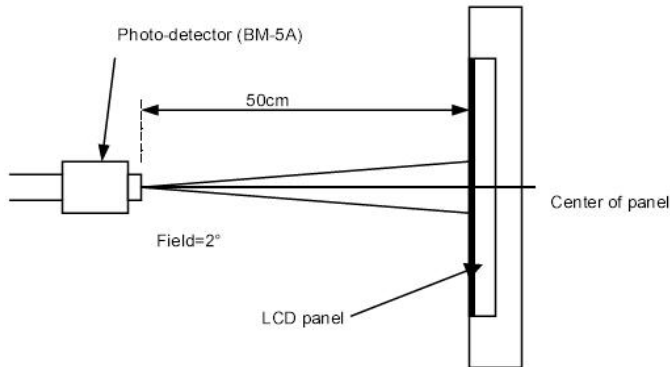
measured at the center point of panel

$$CR = \frac{\text{Luminance with all pixels white}}{\text{Luminance with all pixels black}}$$

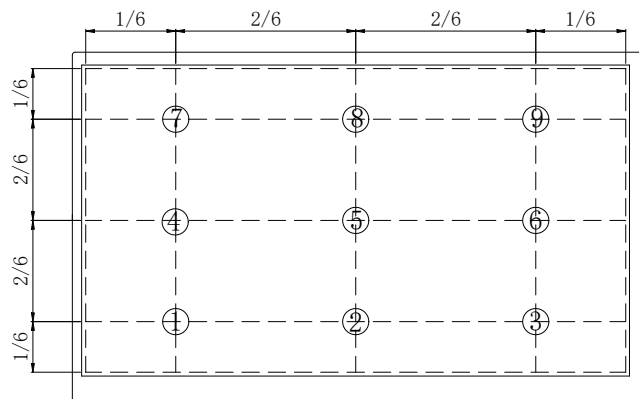
Note (4) Definition of Response Time : Sum of TR and TF



Note (5) Definition of optical measurement setup



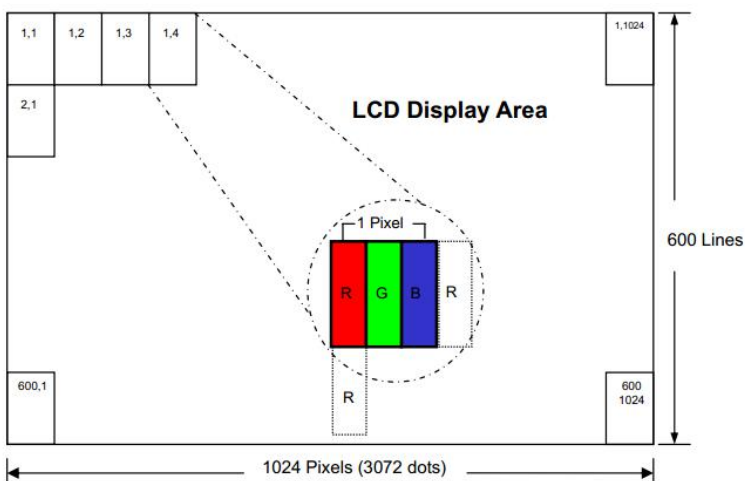
Note (6) Definition of brightness uniformity



Note (7) Rubbing Direction (The different Rubbing Direction will cause the different optima view direction.)

4.0 Block Diagram

4.1 TFT-LCD Module





5.0 Interface Pin Connection

5.1 TFT LCD Module

Pin NO.	SYMBOL	DESCRIPTION
1	LED+	LED Anode
2	LED+	LED Anode
3	LED-	LED Cathode
4	LED-	LED Cathode
5	GND	Ground
6	VCOM	Common Voltage
7	DVDD	Digital Power
8	MODE	DE/SYNC mode select. Normally pull high. H: DE mode. L: HSD/VSD mode
9	DEN	Data Enable signal
10	VSD	Vertical sync input. Negative polarity
11	HSD	Horizontal sync input. Negative polarity
12	B7	Blue Data Input(MSB)
13	B6	Blue Data Input
14	B5	Blue Data Input
15	B4	Blue Data Input
16	B3	Blue Data Input
17	B2	Blue Data Input
18	B1	Blue Data Input
19	B0	Blue Data Input(LSB)
20	G7	Green Data Input(MSB)
21	G6	Green Data Input
22	G5	Green Data Input
23	G4	Green Data Input
24	G3	Green Data Input
25	G2	Green Data Input
26	G1	Green Data Input
27	G0	Green Data Input(LSB)
28	R7	Red Data Input(MSB)
29	R6	Red Data Input
30	R5	Red Data Input
31	R4	Red Data Input
32	R3	Red Data Input
33	R2	Red Data Input
34	R1	Red Data Input
35	R0	Red Data Input(LSB)
36	GND	Power ground
37	DCLK	Clock input
38	GND	Power ground
39	SHLR	Left or Right Display Control
40	UPDN	Up / Down Display Control
41	VGH	Positive Power for TFT
42	VGL	Negative Power for TFT
43	AVDD	Analog Power
44	RESET	Global reset pin. Active low to enter reset state. Suggest to connecting with an RC reset circuit for stability. Normally pull high. (R=10KΩ · C=1μF)
45	NC	Not connect
46	VCOM	Common Voltage
47	DITH	Dithering setting DITH="H" 8bit resolution(last 2 bit of input data truncated) DITH="L" 8bit resolution(default setting)
48	GND	Power ground
49	NC	Not connect
50	NC	Not connect



6. Electrical Characteristics

6.1 TFT LCD Module

Item	Symbol	Min.	Typ.	Max.	Unit	Note
Supply Voltage	DV _{DD}	3.0	3.3	3.6	V	
	V _{GH}	17	18	19	V	
	V _{GL}	-6.6	-6	-5.4	V	
	AV _{DD}	9.4	9.6	9.8	V	
	V _{com}	3.25	3.5	3.75	V	
VCOM	V _{CAC}		-	-	VP-P	AC component
	V _{CDC}	-	-	-	V	DC component, (1)
Input signal voltage	V _{IH}	0.7DV _{DD}	-	DV _{DD}	V	
	V _{IL}	0	-	0.3DV _{DD}	V	
Current of power supply	I _{DD}	-	20		mA	DV _{DD} =3.3V
	I _{ADD}	-	25		mA	AV _{DD} =9.6V
	I _{GH}	-	1		uA	V _{GH} =18V
	I _{GL}	-	1		mA	V _{GL} =-6V



6.2 TFT-LCD Current Consum

ITEM	SYMBOL	CONDITION	MIN	TYPE	MAX	UNIT	NOTE
Gate on power current	IVGH	VGH = 18V	--	0.5	1	mA	Note1
Gate off power current	IVGL	VGL = -6V	--	0.5	1	mA	Note1
Digital power current	IDVDD	DVDD = 3.3V	--	30	45	mA	Note1
Analog power current	IAVDD	AVDD = 9.6V	--	35	45	mA	Note1
Total Power Consumption	PC		--	447	604	mW	Note1

Note1: Typ. specification : Gray-level test Pattern

Max. specification : Black test Pattern

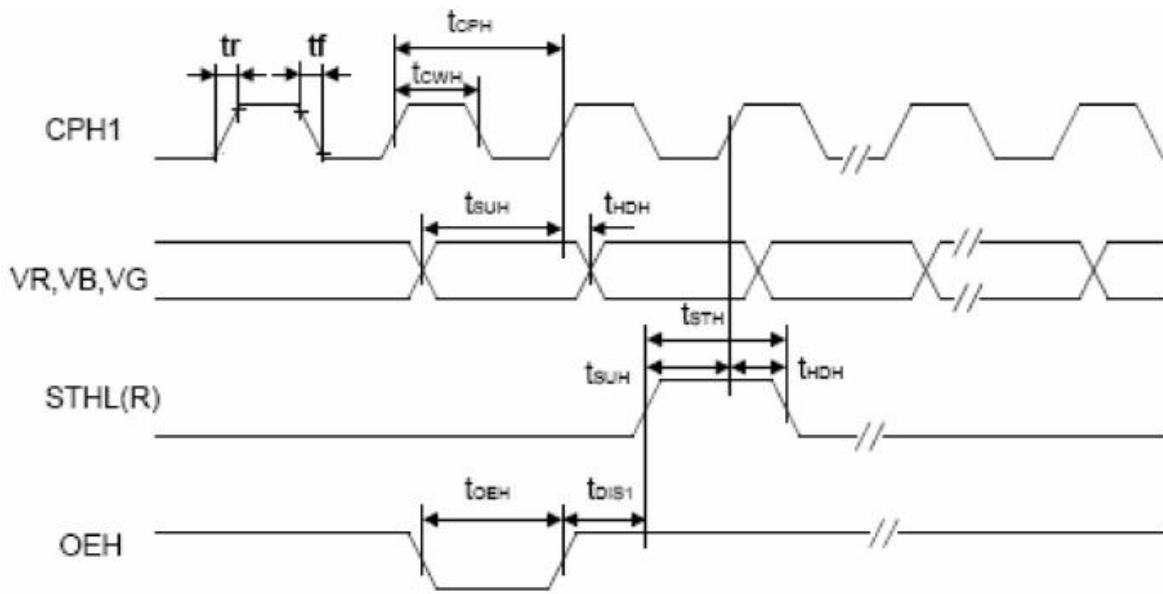


256 gray pattern

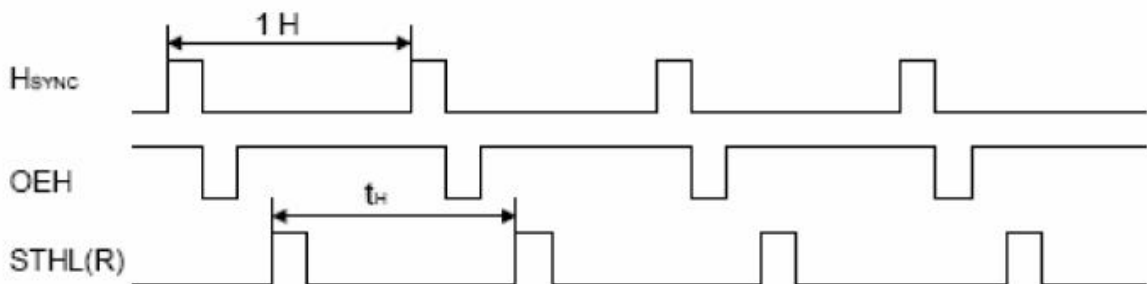
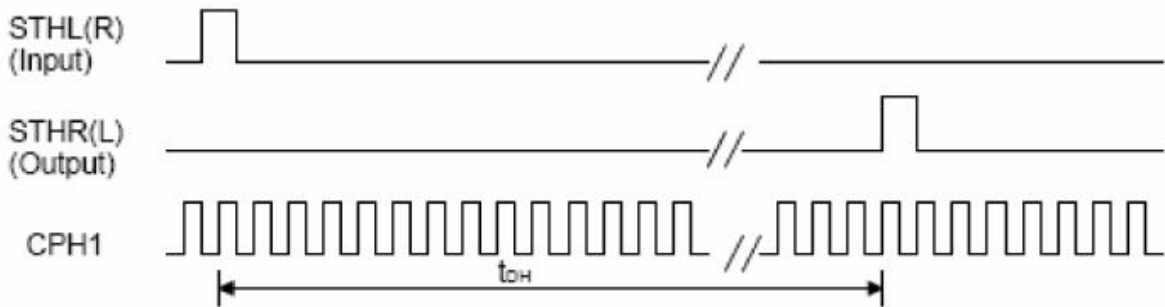


Black Pattern

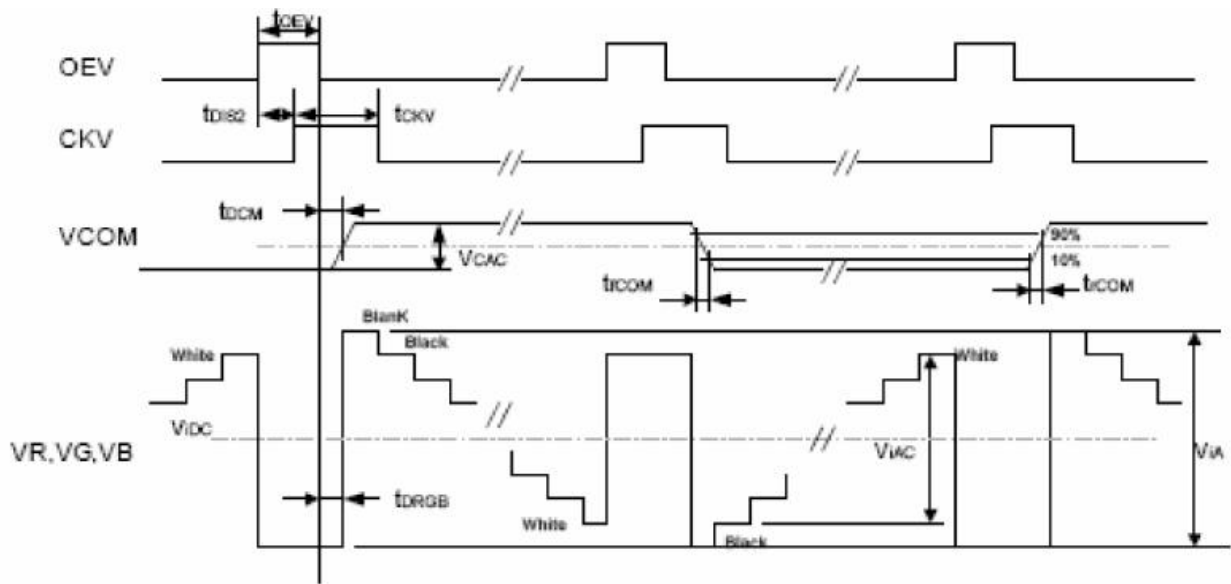
6.3 Timing Diagram of Interface Signal



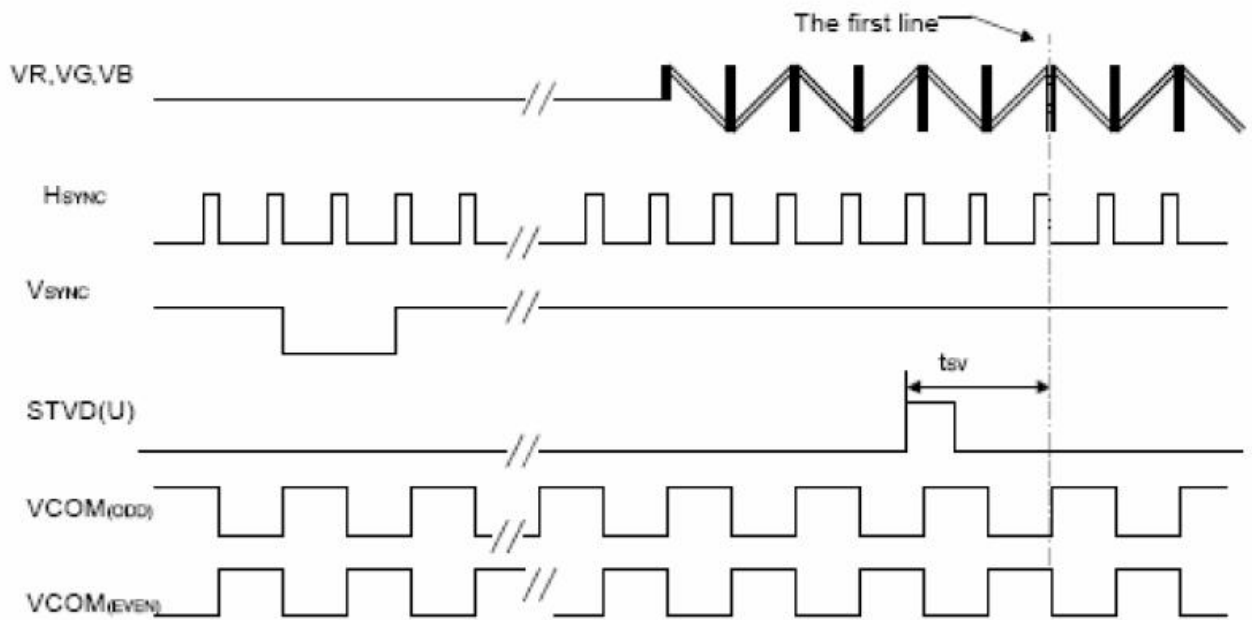
Sampling clock timing



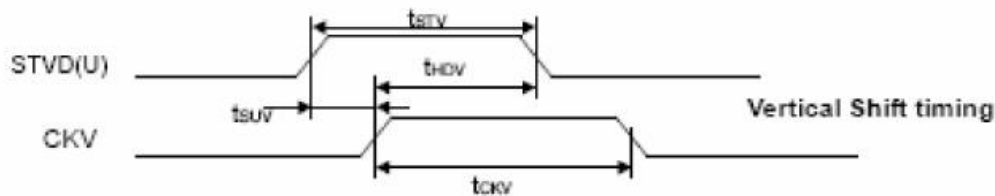
Horizontal display timing range



Detail Horizontal timing



Vertical timing



Vertical Shift timing



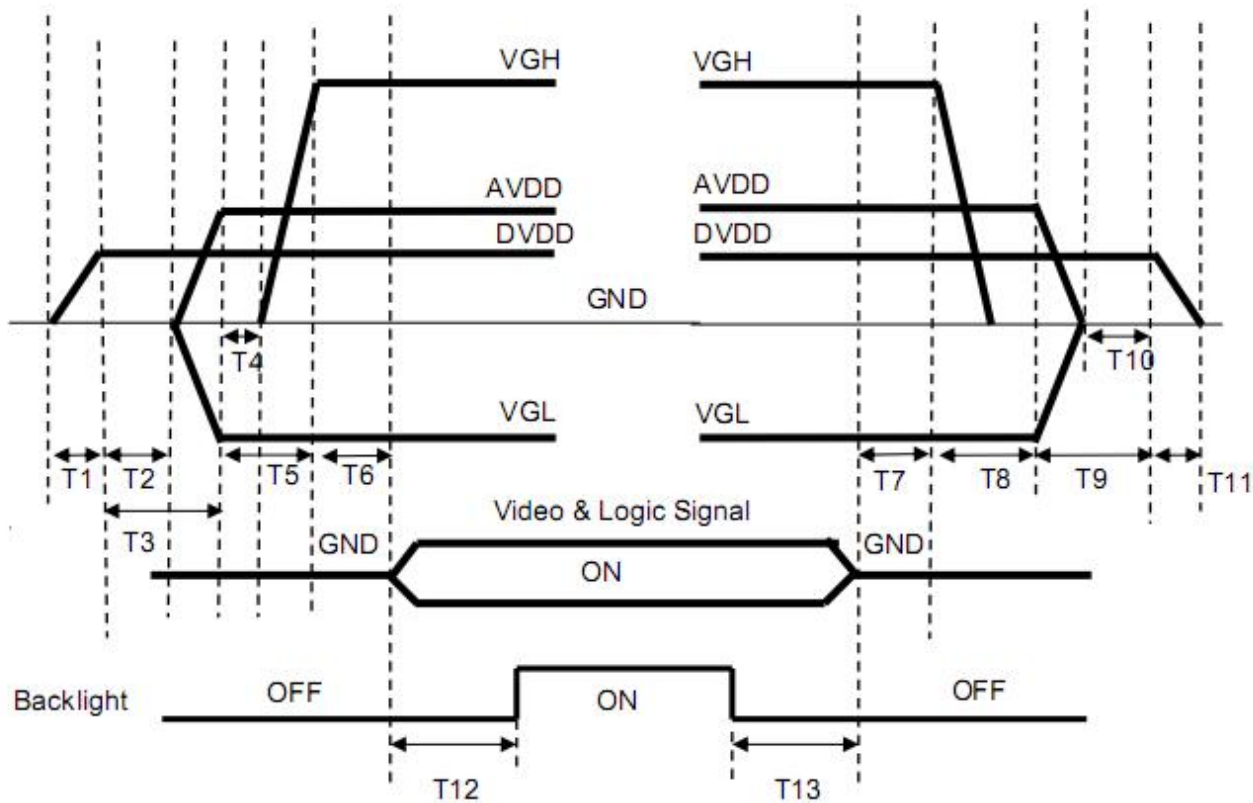
	ITEM	SYMBOL	MIN.	TYP.	MAX.	UNIT	Note
DE MODE	Dot Clock	1/tCLK	45	51.2	57	MHz	
	DCLK pulse duty	Tcwh	40	50	60	%	
	Horizontal total Time	tH	1324	1344	1364	tCLK	
	Horizontal effective Time	tHA	1024			tCLK	
	Horizontal Blank Time	tHB	300	320	340	tCLK	
	Vertical total Time	tV	625	635	645	tH	
	Vertical effective Time	tVA	600			tH	
	Vertical Blank Time	tVB	25	35	45	tH	
SYNC MODE	Horizontal total Time	TH	1324	1344	1364	tCLK	
	Horizontal Pulse Width	Thpw		20	-	tCLK	thb + thpw =160DCLK is fixed
	Horizontal Back Porch	Thb		140	-	tCLK	
	Horizontal Front Porch	Thfp	140	160	180	tCLK	
	Horizontal effective Time	THA	1024			tCLK	
	Vertical total Time	TV	625	635	645	tH	
	Vertical Pulse Width	Tvpw		3	-	th	tvpw + tvb =23th is fixed
	Vertical Back Porch	Tvb	-	20	-	th	
	Vertical Front Porch	Tvfp	2	12	22	th	
Vertical Valid	Tvd	600			th		



6.4 Power Sequence

Power On : DVDD→AVDD/VGL →VGH →Video & Logic Signal→Backlight

Power Off : Backlight→Video & Logic Signal→ VGH→AVDD/VGL→DVDD



$0 < T1 \leq 10\text{ms}$
 $T2 > 0\text{ms}$
 $T3 > 20\text{ms}$
 $T4 > 0\text{ms}$
 $T5 > 10\text{ms}$
 $0 < T6 \leq 10\text{ms}$
 $T12 \geq 200\text{ms}$

$T7 > 0\text{ms}$
 $T8 > 0\text{ms}$
 $T9 > 0\text{ms}$
 $T10 > 0\text{ms}$
 $0 < T11 \leq 10\text{ms}$
 $T13 \geq 200\text{ms}$

**7.0 Reliability test items**

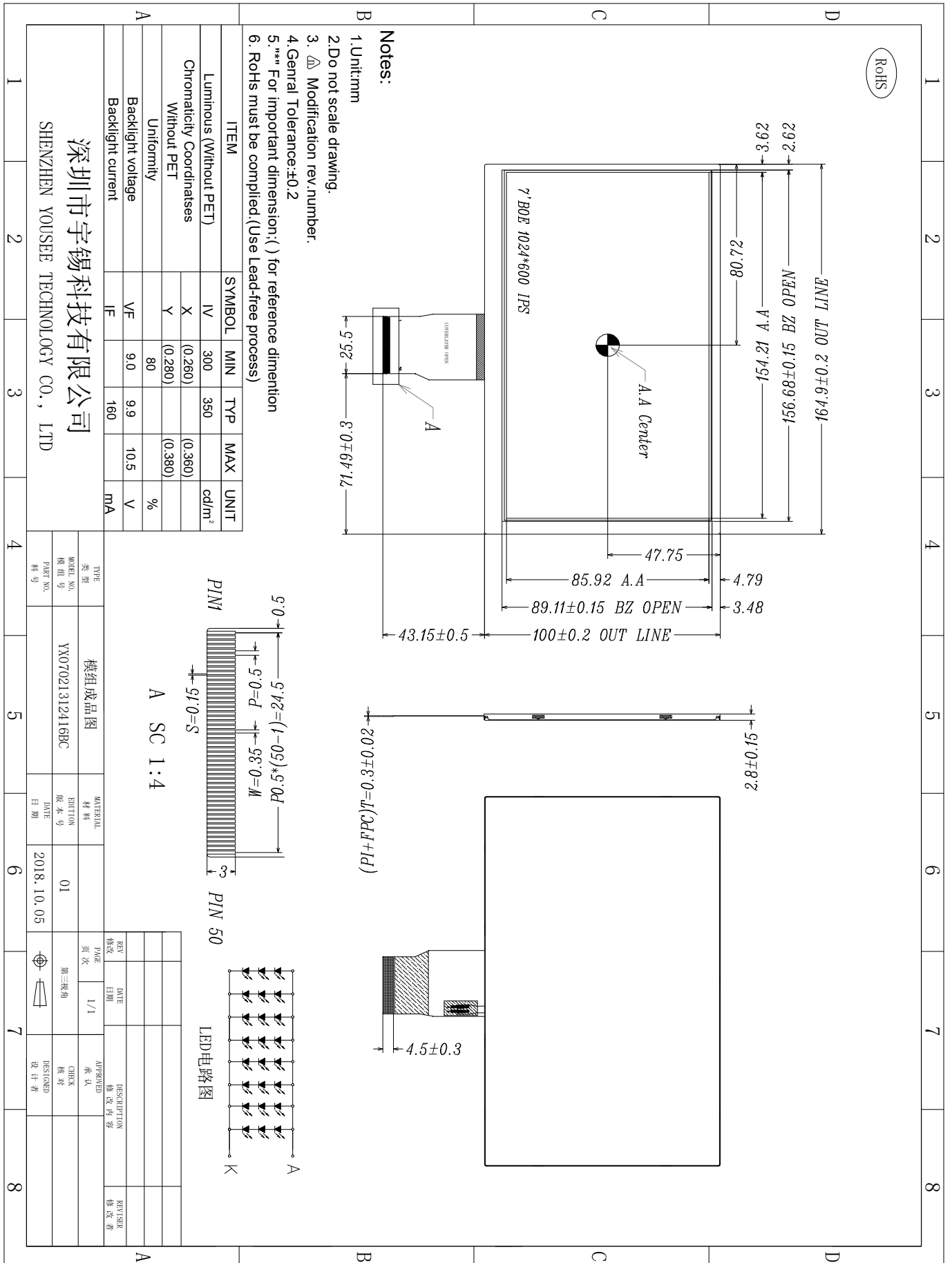
NO	Item	Conditions	Remark
1	High Temperature Storage	Ta=+60℃,48hrs	
2	Low Temperature Storage	Ta=-20℃,48hrs	
3	High Temperature Operation	Ta=+50℃,48hrs	
4	Low Temperature Operation	Ta=-10℃,48hrs	
5	High Temperature and High Humidity (operation)	Ta=+40℃,90%RH,48hrs	
6	Thermal Cycling Test (non operation)	-10℃(0.5hr)→+60℃(0.5hr),100cycles	
7	Vibration	1.Random:1.04G,10-500HZ,X,Y,Zdirection 30min/each direction 2.Sweep sine:1.5G, 5~500Hz, X/Y/Z,30min/each direction	
8	Shock	100G,6ms, ±X, ±Y, ±Z 3 time for each direction	JIS C7021, A-10 (Condition A)
9	Vibration (with carton)	Random:1.04Grms, 10~500Hz, X/Y/Z 45min/each direction Fixed:5Hz, 1.5Grms, X/Y/Z 45min/each direction	
10	Drop (with carton)	Height: 60cm 1 corner, 3 edges, 6 surfaces	JIS Z0202
11	Electrostatic Discharge	±200V,200PF,0Ω1 time/each terminal	

Note: All tests above are practiced at module type.

There is no display function NG issue occurred, All the cosmetic specification is judged before the reliability stress.



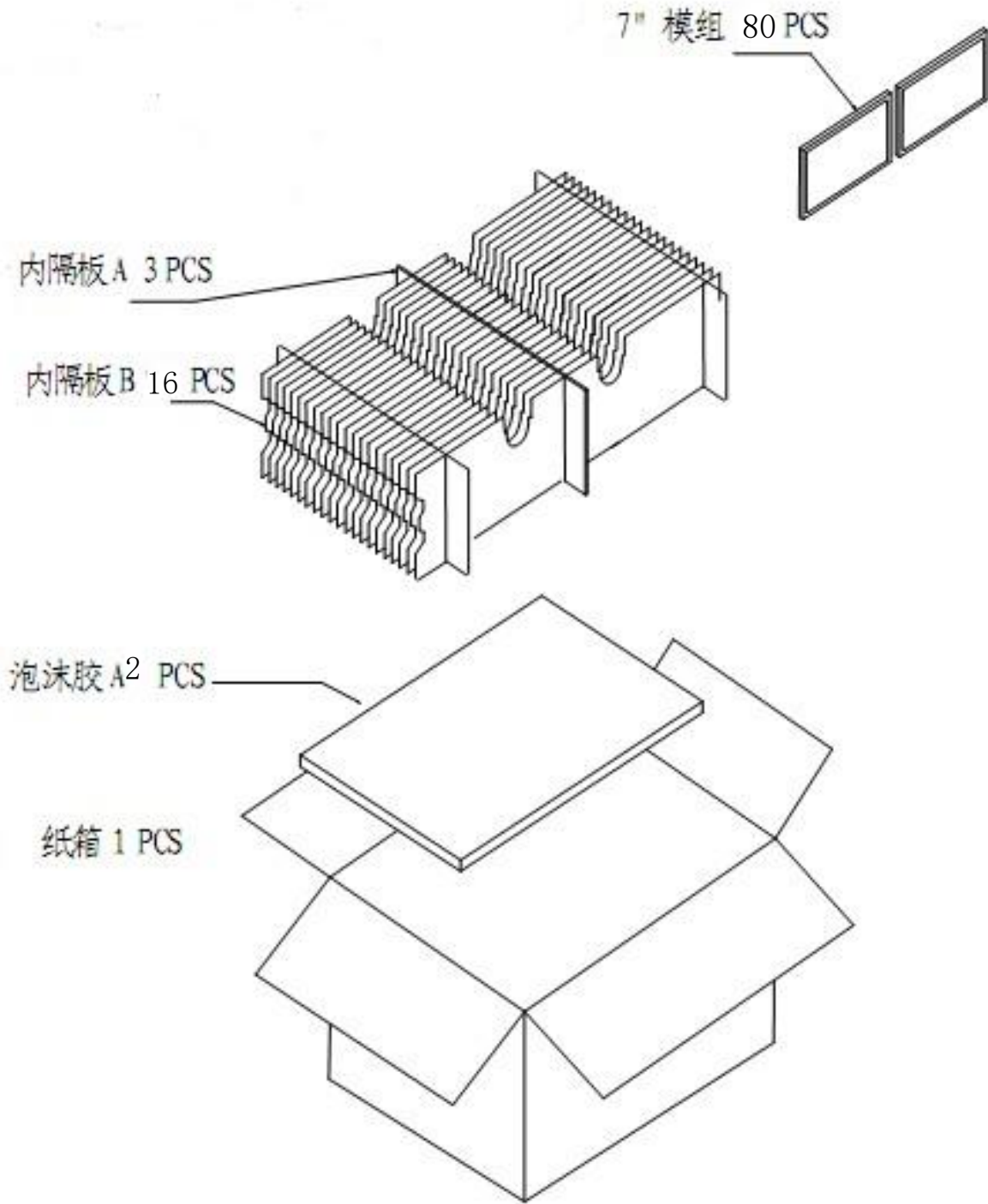
8.0 Outline dimension





9.0 Packing form

9.1 Packing form 1





10.0 General Precaution

10.1 Use Restriction

This product is not authorized for use in life supporting systems, aircraft navigation control systems, military systems and any other application where performance failure could be life-threatening or otherwise catastrophic.

10.2 Assembly Precaution

10.2.1 Please use the mounting hole on the module side in installing and do not bending or wrenching LCD in assembling. And please do not drop, bend or twist LCD module in handling.

10.2.2 Please design display housing in accordance with the following guide lines.

10.2.2.1 Housing case must be destined carefully so as not to put stresses on LCD all sides and not to wrench module. The stresses may cause non-uniformity even if there is no non-uniformity statically.

10.2.2.2 Keep sufficient clearance between LCD module back surface and housing when the LCD module is mounted. The clearance in the design is recommended taking into account the tolerance of LCD module thickness and mounting structure height on the housing.

10.2.3 Please do not push or scratch LCD panel surface with any-thing hard. And do not soil LCD panel surface by touching with bare hands. (Polarizer film, surface of LCD panel is easy to be flawed.)

10.2.4 Please do not press any parts on the rear side such as source IC, gate IC, and FPC during handling LCD module. If pressing rear part is unavoidable, handle the LCD module with care not to damage them.

10.2.5 Please wipe out LCD panel surface with absorbent cotton or soft cloth in case of it being soiled.

10.2.6 Please wipe out drops of adhesives like saliva and water on LCD panel surface immediately. They might damage to cause panel surface variation and color change.

10.2.7 Please do not take a LCD module to pieces and reconstruct it. Resolving and reconstructing modules may cause them not to work well.

10.3 Disassembling or Modification

Do not disassemble or modify the module. It may damage sensitive parts inside LCD module, and may cause scratches or dust on the display. HannStar does not warrant the module, if customers disassemble or modify the module.

10.4 Breakage of LCD Panel

10.4.1 If LCD panel is broken and liquid crystal spills out, do not ingest or inhale liquid crystal, and do not contact liquid crystal with skin.

10.4.2 If liquid crystal contacts mouth or eyes, rinse out with water immediately.

10.4.3 If liquid crystal contacts skin or cloths, wash it off immediately with alcohol and rinse thoroughly with water.

10.4.4 Handle carefully with chips of glass that may cause injury, when the glass is broken.



10.5 Absolute Maximum Ratings and Power Protection Circuit

10.5.1 Do not exceed the absolute maximum rating values, such as the supply voltage variation, input voltage variation, variation in parts' parameters, environmental temperature, etc., otherwise LCD module may be damaged.

10.5.2 Please do not leave LCD module in the environment of high humidity and high temperature for a long time.

10.5.3 It's recommended employing protection circuit for power supply.

10.6 Operation

10.6.1 Do not touch, push or rub the polarizer with anything harder than HB pencil lead. Use fingerstalls of soft gloves in order to keep clean display quality, when persons handle the LCD module for incoming inspection or assembly.

10.6.2 When the surface is dusty, please wipe gently with absorbent cotton or other soft material.

10.6.3 Wipe off saliva or water drops as soon as possible. If saliva or water drops contact with polarizer for a long time, they may causes deformation or color fading.

10.6.4 When cleaning the adhesives, please use absorbent cotton wetted with a little petroleum benzine or other adequate solvent.

10.7 Static Electricity

10.7.1 Protection film must remove very slowly from the surface of LCD module to prevent from electrostatic occurrence.

10.7.2 Because LCD module uses CMOS-IC on TFT-LCD panel, it is very weak to electrostatic discharge. Please be careful with electrostatic discharge.

10.7.3 Persons who handle the module should be grounded through adequate methods.

10.8 Disposal

When disposing LCD module, obey the local environmental regulations.

10.9 OTHERS

10.9.1 A strong incident light into LCD panel might cause display characteristics' changing inferior because of polarizer film, color filter, and other materials becoming inferior.

Please do not expose LCD module direct sunlight land strong UV rays.

10.9.2 Please pay attention to a panel side of LCD module not to contact with other materials in preserving it alone.

10.9.3 For the packaging box, please pay attention to the followings:

10.9.3.1 Packaging box and inner case for LCD are designed to protect the LCDs from the damage or scratching during transportation. Please do not open except picking LCDs up from the box.

10.9.3.2 Please do not pile them up more than 6 boxes. (They are not designed so.) And please do not turn over.

10.9.3.3 Please handle packaging box with care not to give them sudden shock and vibrations. And also please do not throw them up.

10.9.3.4 Packing box and inner case for LCDs are made of cardboard. So please pay attention not to get them wet. (Such like keeping them in high humidity or wet place can occur getting them wet.)

**11 Numbering System**

□ □	□ □ □	□ □ □ □	□ □ □ □ □	□
(1)	(2)	(3)	(4)	(5)
WG	070	1232	1816H	B

No	Definition	Specifications
(1)	TFT LCM Productor No.	W----Weiyao Opto-tech Co.Ltd G-----LCM Module
(2)	LCD Size	Unit : inch
(3)	Productor Series No.	By Four figures characters expression from 0001 to 9999
(4)	Customer order number	By five number from customer order form
(5)	Factory Line number	By A to E